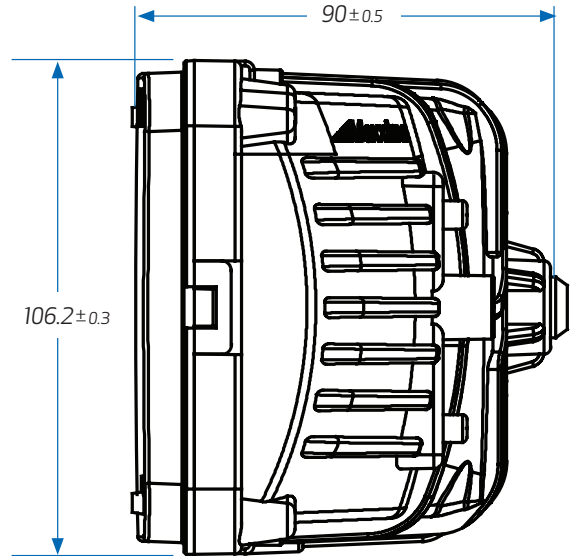


NEW **vionic**
4X6 COMBO DRL / LOW BEAM



VIONIC 4X6 COMBO LOW BEAM / DRL LED HEADLIGHT

Maxxima Introduces the most advanced line of high performance LED Headlights now available. **The new Vionic Series 4"X6" DRL/ Low Beam**, High and Low Beam lights by Maxxima are the latest in LED forward headlamp technology incorporating a wider beam for increased road coverage and better up close near field illumination. For increased safety, drivers can now see objects right in front of their vehicles.

The VHL-4X6DRL® **Patents Pending** Low Beam DRL Combo is the first LED DRL / Low Beam Combo Light available. If your vehicle is equipped with an OEM DRL function with Halogen lighting, you can now replace your old head lights with the new DRL/Low Beam combo lamp from **Vionic**. Our built in electronics will automatically interface with your vehicle's on board modulated voltage system (PWM) allowing your new Vionic LED DRL system to perform flawlessly with no interfacing problems. The new Vionic series is thinner with a slim 3.7" depth profile design and a ultra light 1.5lb overall weight preventing damage to the light bucket unlike competitive brands.

PART NUMBER	VHL-4X6DRL	
LEDs	5	• Patents Pending
Lumens	400	• Signature V DRL Lamp
Voltage	12/24 VDC Dual Voltage	• Thin 3.7" Low Profile Design
Connector	3 Pin Male H4 6" Lead	• Lighter 1.5lbs Weight
Dimensions	6.6" X 4.2" X 3.7"	• Polycarbonate Lens Maxx-Shield Coating
Amp Draw	1.1A 12V 0.6A 24V	• Mechanical Aiming Pads
Legal Heading	DOT L DRL SAE HL DRL	• H4 Pigtail Included • 5 Year Warranty



SCAN THIS CODE TO DOWNLOAD THIS PRODUCT PAGE WITHOUT PRICING.